



ESCAR
UK BRONZE

CUSTOMER INFORMATION

WATER PUMP SPECIFICATIONS



KING-4F

PRODUCT CHARACTERISTICS:

1. Pump is small but with large flow rate and high total height thanks to the strong magnetic rotor.
2. The motor is sealed with epoxy resin, safe and durable.
3. Flow can be adjusted freely.

SAFETY WARNINGS :

1. Check the supplied voltage accords with requirement.

APPLY SCOPE:

Ideal for fresh and marine water with the ceramic shaft.

TECHNIQUE PARAMETER :

VOLT: 100-120V/220-240V

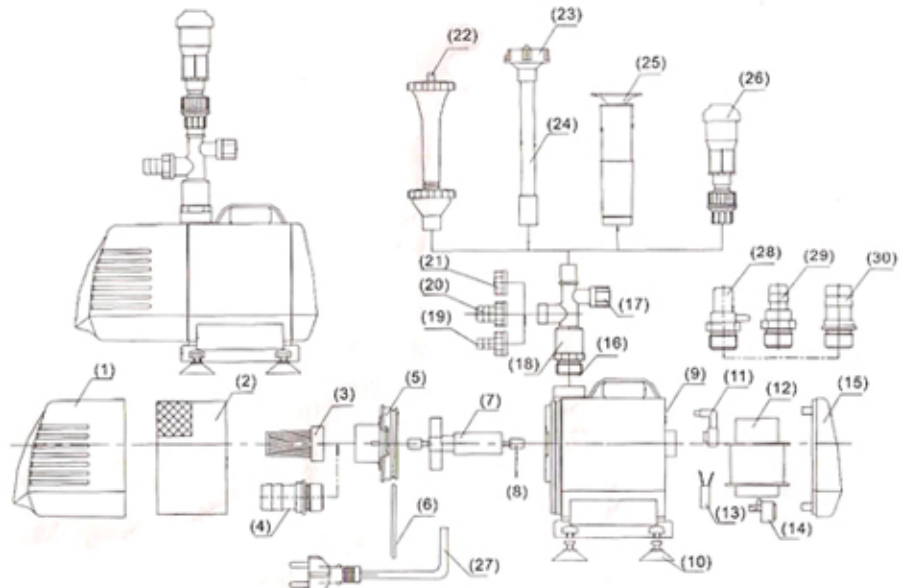
FREQ: 50/60HZ

POWER: 90W

OUTPUT: 4800L/h

H-MAX: 4.5m

SIZE: 160X102X230mm



1. Pre-filter cage
2. Pre-filter sponge
3. Water intake filter
4. Water intake inlet (G1")
5. Impeller cover
6. "O" ring
7. Impeller complete
8. Impeller shaft locator
9. Main body
10. Suction cap(4pcs)
11. Backwards waterflow way
12. Motor
13. thermal protector
14. Cable clip
15. Back cover
16. Connector
17. Four-way connector
18. Flow control (G3/4")
19. Water outlet(small)
20. Water outlet(big)
21. Flat cover
22. Double volcano nozzle
23. Single volcano nozzle
24. raising pipe
25. Water bell nozzle
26. Foaming nozzle
27. Power cable
28. Air water outlet (G3/4")
29. Water outlet(small) (G3/4")
30. Water outlet(big) (G3/4")